

owner's manual

Quality Uncompromised

ROTEL[®]

RB-850

STEREO POWER AMPLIFIER

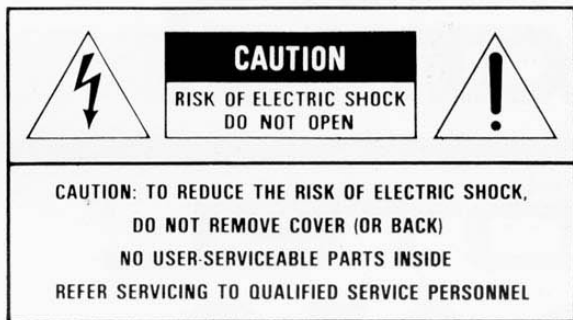
ENGLISH	1
DEUTSCH	5
FRANÇAIS	8

WARNING
TO PREVENT FIRE OR SHOCK HAZARD,
DO NOT EXPOSE THIS APPLIANCE TO
RAIN OR MOISTURE

Write your SERIAL NUMBER here.

The number is located near the name plate on the rear panel.

SAFETY INSTRUCTIONS



Explanation of Graphical Symbols



The lightning flash with arrowhead symbol, within an equilateral triangle, is intended to alert you to the presence of uninsulated "dangerous voltage" within the product's enclosure that may be of sufficient magnitude to constitute a risk of electric shock to persons.



The exclamation point within an equilateral triangle is intended to alert you to the presence of important operating and maintenance (servicing) instructions in the literature accompanying the appliance.

EXCLUSIVE NOTE FOR U.K.

If your unit comes with a 2-core cable without a plug, make certain live and neutral leads are connected to the proper terminals. Check that the terminals are screwed down firmly and no loose strands of wire are present.

IMPORTANT: The wires in this mains lead are coloured in accordance with the following code:

BLUE : NEUTRAL

BROWN: LIVE

As the colours of the wires in the mains lead of this apparatus may not correspond with the coloured markings identifying the terminals in your plug proceed as follows.

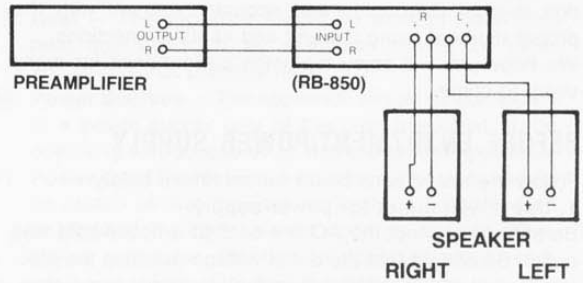
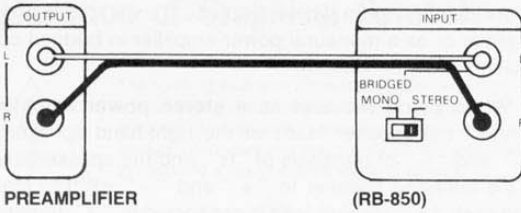
The wire which is coloured BLUE must be connected to the terminal which is marked with the letter N or coloured BLUE or BLACK. The wire which is coloured BROWN must be connected to the terminal which is marked with the letter L or colour BROWN or RED.

1. **Read Instructions** — All the safety and operating instructions should be read before the appliance is operated.
2. **Retain Instructions** — The safety and operating instructions should be retained for future reference.
3. **Heed Warnings** — All warnings on the appliance and in the operating instructions should be adhered to.
4. **Follow Instructions** — All operating and other instructions should be followed.
5. **Water and Moisture** — The appliance should not be used near water — for example, near a bathtub, wash-bowl, kitchen sink, laundry tub, in a wet basement, or near a swimming pool, etc.
6. **Carts and Stands** — The appliance should be used only with a cart or stand that is recommended by the manufacturer.
7. **Wall or Ceiling Mounting** — The appliance should be mounted to a wall or ceiling only as recommended by the manufacturer.
8. **Ventilation** — The appliance should be situated so that its location or position does not interfere with its proper ventilation. For example, the appliance should not be situated on a bed, sofa, rug, or similar surface that may block the ventilation openings; or placed in a built-in installation, such as a bookcase or cabinet that may impede the flow of air through the ventilation openings.
9. **Heat** — The appliance should be situated away from heat sources such as radiators, stoves, or other appliances that produce heat.
10. **Power Sources** — The appliance should be connected to a power supply only of the type described in the operating instructions or as marked on the appliance.
11. **Power-Cord Protection** — Power-supply cords should be routed so that they are not likely to be walked on or pinched by items placed upon or against them, paying particular attention to cords at plugs, convenience receptacles, and the point where they exit from the appliance.
12. **Cleaning** — The appliance should be cleaned only as recommended by the manufacturer.
13. **Nonuse Periods** — The power cord of the appliance should be unplugged from the outlet when left unused for a long period of time.
14. **Object and Liquid Entry** — Care should be taken so that objects do not fall into and liquids not spilled into the inside of the appliance.
15. **Damage Requiring Service** — The appliance should be serviced by qualified service personnel when:
 - A. The power-supply cord or the plug has been damaged; or
 - B. Objects have fallen, or liquid has been spilled into the appliance; or
 - C. The appliance has been exposed to rain; or
 - D. The appliance does not appear to operate normally or exhibits a marked change in performance; or
 - E. The appliance has been dropped, or the cabinet damaged.
16. **Servicing** — The user should not attempt to service the appliance beyond those means described in the operating instructions. All other servicing should be referred to qualified service personnel.
17. **Grounding or Polarization** — The precautions that should be taken so that the grounding or polarization means of an appliance is not defeated.

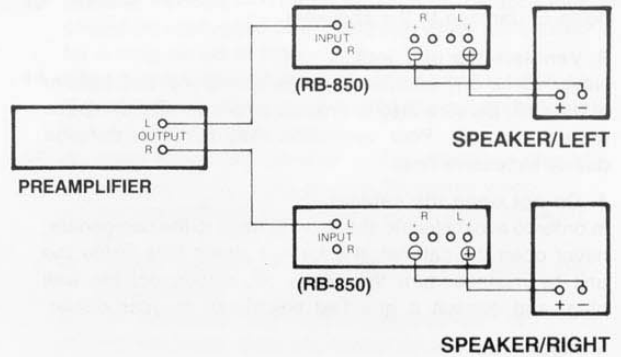
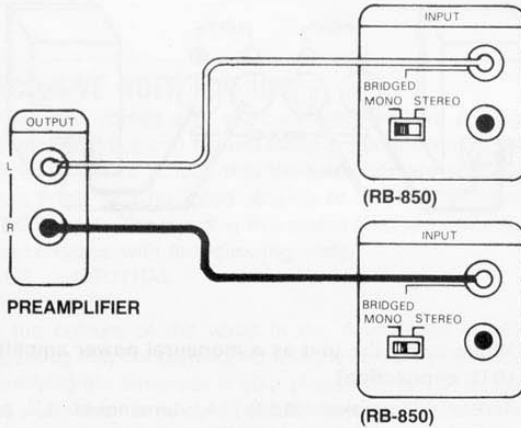
CONNECTING PREAMPLIFIER

Connect preamplifier to the RB-850. The mode of connection differs depending on usage of the unit; you may use the unit 1) as a stereo power amplifier, 2) as a monaural power amplifier in bridged connection (BTL), or 3) as a monaural power amplifier used in combination with ROTEL stereo receiver RX-855 in bridged connection (BTL). Please make correct connection in accordance with your usage of the unit.

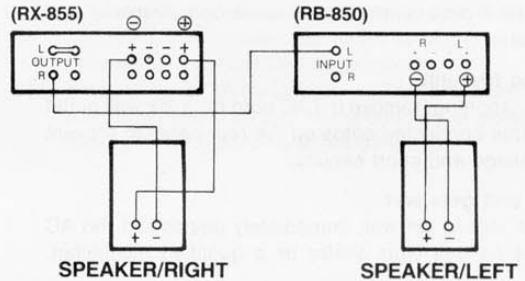
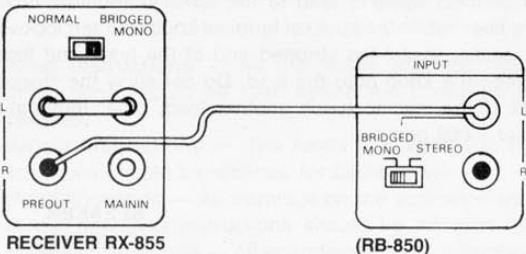
1) When using the unit as stereo power amplifier



2) When using the unit as monaural amplifier (bridged connection)



3) When using the unit as monaural amplifier for operation with RX-855 (bridged connection)



Caution: When using the RB-850 in combination with the ROTEL stereo receiver RX-855 for bridged connection (BTL), never supply power to the RB-850 through the AC outlet provided on the RX-855. Be sure to connect the RB-850 power cord to a wall outlet.

SWITCHE AND INDICATORS

(1) Power Button

Depress this button to turn on the power in the unit. Press the button a second time to release it and to cut off the power.

(2) Power Indicator

Glows when power is turned on with the power button.

(3) Bridged Mono Indicator

Glows when NORMAL/BRIDGED MONO selector on the unit's rear panel is set to BRIDGED MONO position to use the unit as monaural power amplifier in bridged connection (BTL).

OPERATION

- Before commencing operation, check to see if all connections are properly made.
- Before turning on the power in the unit, always be sure to turn down the preamplifier volume control to minimum.
 1. Turn on the preamplifier.
 2. Turn on the RB-850.
 3. Reproduce a desired source, and raise the volume level on the preamplifier.

HUM AND NOISE

In any high fidelity installation, hum may be caused by the interconnection of a turntable, tuner and amplifier, and speakers as the result of wiring, different grounding or locations of components.

If hum is experienced with your unit, disconnect everything but the speakers from the unit.

Plug in the turntable and if hum or howling appears, move the turntable away from the speakers as much as possible. Note hum may also be induced by defective cable connections or by running the cables too close to a strong AC field.

When your unit picks up noise during the reception of broadcasts, causes are mostly due to external objects such as fluorescent lamps and house appliances using motor or thermostat, or others that may induce the noise. Either relocating the unit away from the noise sources or using an improved outdoor antenna may readily solve the problem.

In the event you cannot find the cause, consult your dealer or a qualified electrician.

VOLTAGE SELECTION

Not available for U.K., Canada and Scandinavia

The unit is a variable voltage equipment that can run on 120V, 220V or 240V power supply. Your unit should already be preset at the proper voltage for use in your area. However, if you move to an area where the power supply voltage is different, consult your dealer.

SPECIFICATIONS

Continuous Power Output	50 watts* per channel, min. RMS both channels driven into 8 ohms from 20 to 20,000 Hz with no more than 0.03% total harmonic distortion.
DIN Output	90 watts per channel (1 kHz, 4 ohms, 1% THD)
Power Output (BTL)	150 watts (mono) min. RMS driven into 8 ohms from 20 to 20,000 Hz with no more than 0.03% total harmonic distortion.
Total Harmonic Distortion (20 to 20,000 Hz)	No more than 0.03% (continuous rated power output) No more than 0.03% (continuous 1/2 rated power output), No more than 0.05% (1 watt per channel power output, 8 ohms)
Intermodulation Distortion (60 Hz:7 kHz = 4:1)	No more than 0.05% (continuous rated power output) No more than 0.05% (continuous 1/2 rated power output) No more than 0.05% (1 watt per channel power output, 8 ohms)
Output: Speaker	4-16 ohms
Damping Factor	280 (20 to 20,000 Hz, 8 ohms)
Input Sensitivity/Impedance	1.0V/27 kohms
Frequency Response	15 to 100,000 Hz, +0 dB, -1.0 dB
Signal-to-Noise Ratio (IHF, A network)	116 dB
Power Requirement	120V/60 Hz, 220V/50 Hz, 240V/50 Hz, or 120, 220, 240V/50-60 Hz (switchable) (depending on destinations)
Power Consumption	260 watts
Dimensions (overall)	444 (W) x 86 (H) x 336 (D) mm 17-1/2" x 3-13/32" x 13-9/32"
Weight (net)	9.0 kg/19.8 lbs.

- Specifications and design subject to possible modification without notice.
- *Measured pursuant to the Federal Trade Commission's Trade Regulation Rule on Power Claims for Amplifiers (applicable to the U.S.A. only).